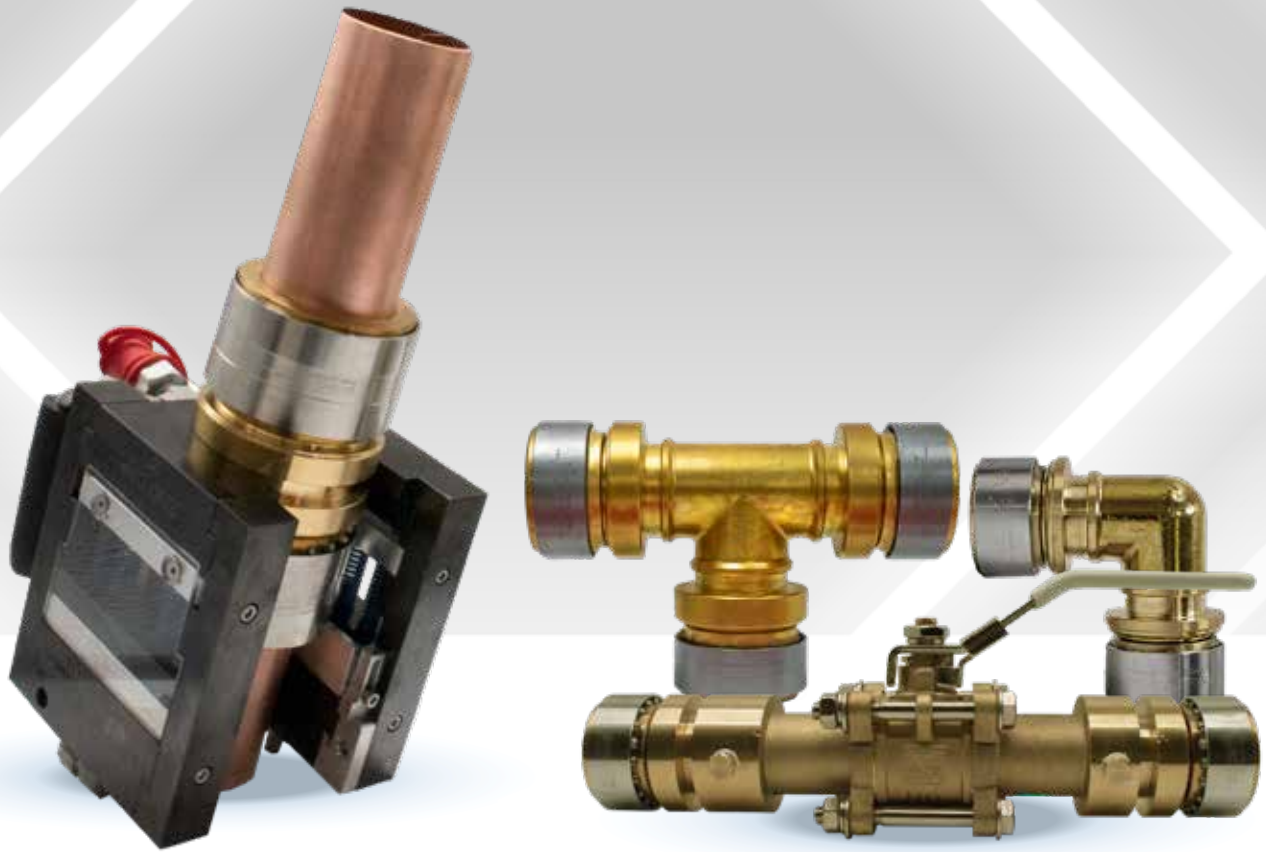





# MEDLOK<sup>®</sup>

Axially Swaged Medical Gas Fittings from **TYLOK**



-  Reduce downtime on medical gas projects up to 80-90%
-  Eliminate burn permits, open flames, fire watch & nitrogen purge
-  Eliminate all braze contamination & dirty joints from inadequate purge

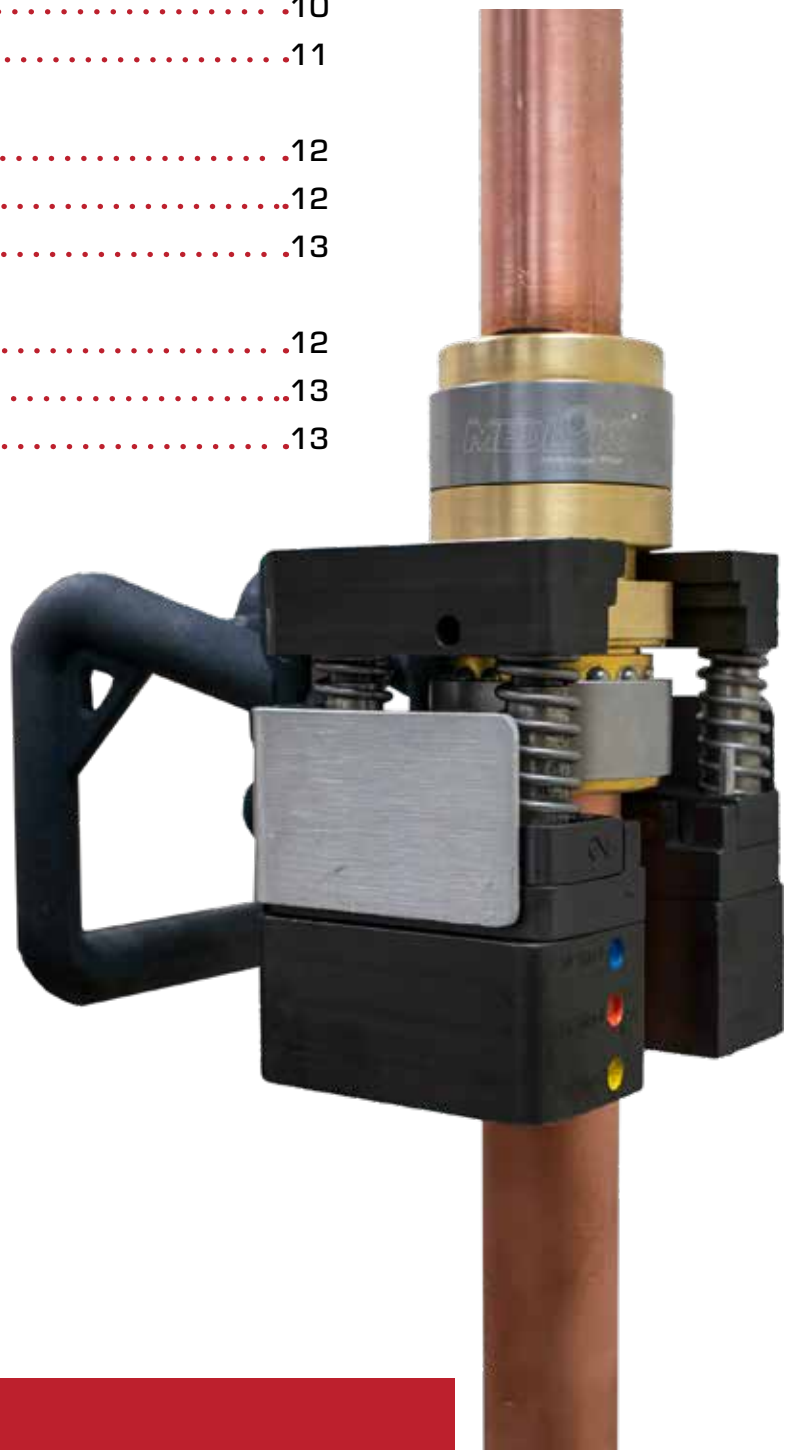
**Fast, Flame-Free & NFPA 99 Code Compliant  
Valves and Fittings**

**WBENC**  
WOMEN'S BUSINESS ENTERPRISE  
NATIONAL COUNCIL



## FITTINGS & VALVES

Caps .....	5
Gage Port Caps .....	5
Couplings .....	6
Reducing Couplings .....	6
Gage Port Couplings .....	7
Reducing Gage Port Couplings .....	7
90° Elbows .....	8
90° Reducing Elbows .....	8
Tees .....	9
Reducing Run Tees .....	9
Reducing Branch Tees .....	10
Valves .....	11
Female NPT to Medlok	
Female Connector .....	12
Female Reducing Connector .....	12
Female Cap .....	13
Male NPT to Medlok	
Male Connector .....	12
Male Reducing Connectors .....	13
Male Plugs .....	13



MEDLOK® Axially Swaged Fittings are an NFPA 99 code compliant alternative to brazing. These types of mechanical connections were added to the code in 2005 as the 4th approved method based on section 5.1.10.3 and have maintained compliance in all subsequent editions. MEDLOK was specifically designed to meet the requirements of the following sections:

- 5.1.10.7: metal-to-metal seals, suitable for service at 300 psig at 1000°F, permanent and nonseparable
- 5.1.10.9: permanent joint with sealing integrity of a brazed joint

To comply with CMS standards, all healthcare systems nationwide must adhere to the 2012 edition or later of the code, effectively making MEDLOK an acceptable connection method in every state!



## The MEDLOK Advantage

- Faster & safer alternative to brazing
  - Eliminate risks associated with open flames such as setting off sprinklers and burning critical IT, electrical, and alarm wiring
- Eliminates Nitrogen purge, brazing, brazing contaminants and cool-down time
- Up to 90% reduction in facility downtime, no need for hot work permit or fire watch
  - Reduce backup bottled gases during a shutdown
  - Reduce staff and patient disruptions
- Consistent installation with an audible “snap”
- Seals on rigid or annealed tubing
  - Can be used close to a brazed joint
- Tested for use with Type K & Type L copper
- High strength collars provide elasticity assuring a permanent, leak-free connection
- Over 150 configurations from 1/2” up to 2”
- Cleaned & packaged for oxygen service in accordance with CGA G-4.1
- Valves available in sizes 1/2” to 2”
- Environmentally friendly



EX: Part Number: KIT-MEDLOK-DBLPMP-02



### 3/8" - 2" MEDLOK Contractor Double Pump Installation Kit

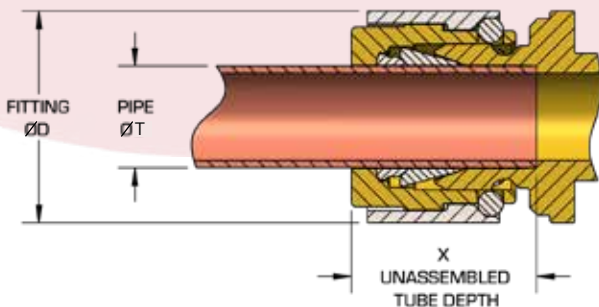
**Includes:**

- Tool Head
- Trigger
- 3' & 15' Hoses and Quick Connects
- 10K PSI Wired Electric Pump with Quick Connects
- Manual Pump with Quick Connects
- Gauges
- Die Sets
- Case

**\* Tool Kits are available for purchase and rental**

### Tube Insertion Chart

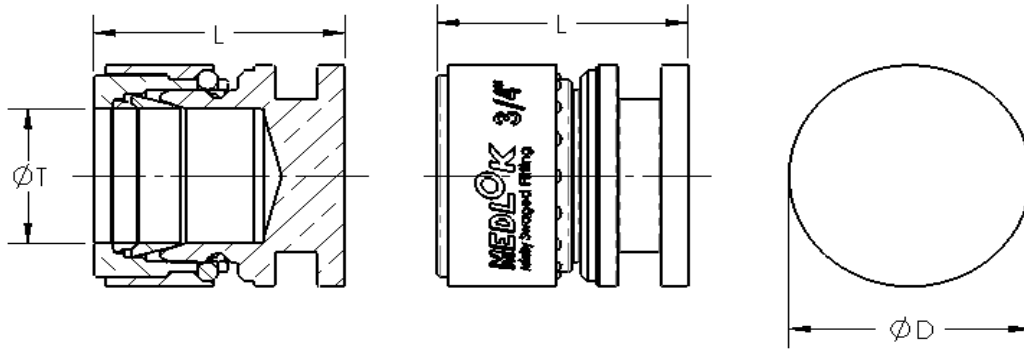
For pre-cutting tubing to length, the following chart shows the additional length inside the fitting assembly.



MEDLOK DESIGNATOR	SIZE	X	PIPE OD	FITTING OD
T06	3/8"	15/16"	1/2"	1-1/16"
T08	1/2"	1"	5/8"	1-3/16"
T12	3/4"	1-1/16"	7/8"	1-1/2"
T16	1"	1-1/4"	1-1/8"	1-15/16"
T20	1-1/4"	1-7/8"	1-3/8"	2-1/4"
T24	1-1/2"	2-1/16"	1-5/8"	2-1/2"
T32	2"	2-11/16"	2-1/8"	3"

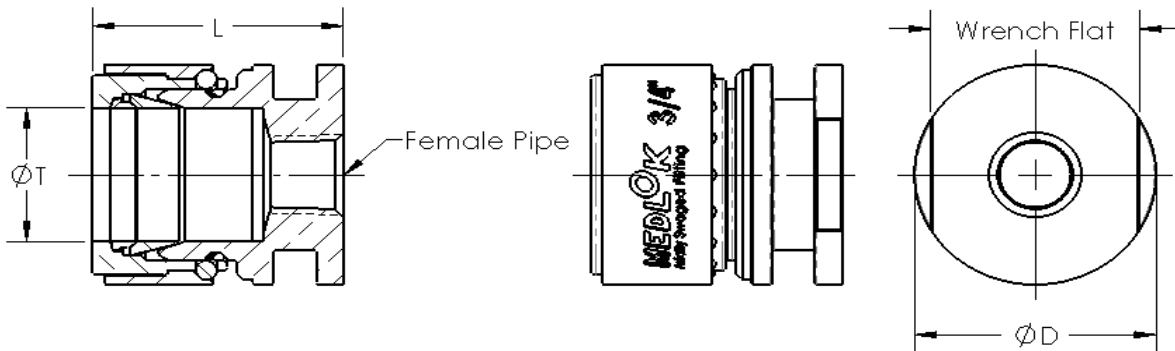
NOTE: All tube insertion depths shown on chart [pg. 4]

## Caps



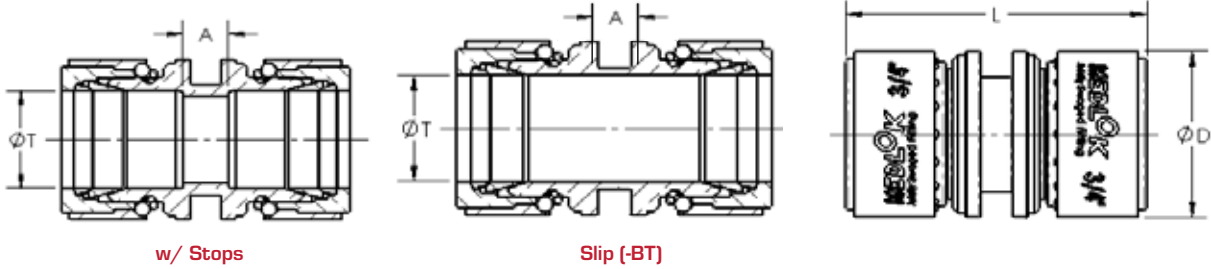
SIZE	PART NUMBER	FITTING LENGTH L
3/8"	B-T06-ASCAP	1-9/16"
1/2"	B-T08-ASCAP	1-9/16"
3/4"	B-T12-ASCAP	1-9/16"
1"	B-T16-ASCAP	2-5/16"
1-1/4"	B-T20-ASCAP	2-5/16"
1-1/2"	B-T24-ASCAP	3"
2"	B-T32-ASCAP	3-3/8"

## Gauge Port Cap



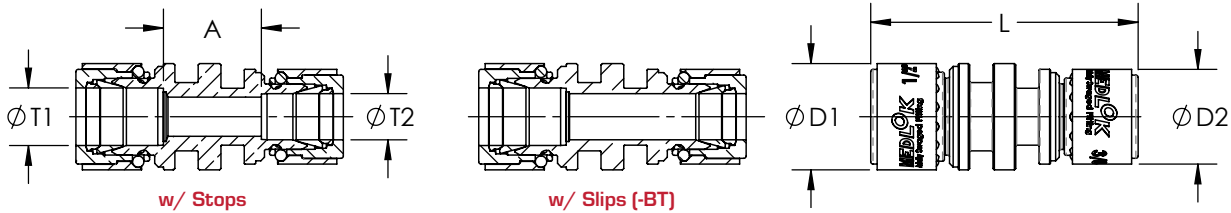
SIZE	PART NUMBER	FEMALE PIPE SIZE	FITTING LENGTH L	WRENCH FLAT
3/8"	B-T06-ASCAP-2FPT	1/8"	1-9/16"	15/16"
3/8"	B-T06-ASCAP-4FPT	1/4"	2-1/16"	15/16"
1/2"	B-T08-ASCAP-2FPT	1/8"	1-9/16"	1"
1/2"	B-T08-ASCAP-4FPT	1/4"	1-9/16"	1"
3/4"	B-T12-ASCAP-2FPT	1/8"	1-9/16"	1-1/4"
3/4"	B-T12-ASCAP-4FPT	1/4"	1-9/16"	1-1/4"
1"	B-T16-ASCAP-2FPT	1/8"	2-5/16"	1-3/4"
1"	B-T16-ASCAP-4FPT	1/4"	2-5/16"	1-3/4"
1-1/4"	B-T20-ASCAP-4FPT	1/4"	2-5/16"	2"
1-1/2"	B-T24-ASCAP-4FPT	1/4"	3"	2-1/4"
2"	B-T32-ASCAP-4FPT	1/4"	3-3/8"	2-3/4"

## Couplings with Stop or Slip Body Styles



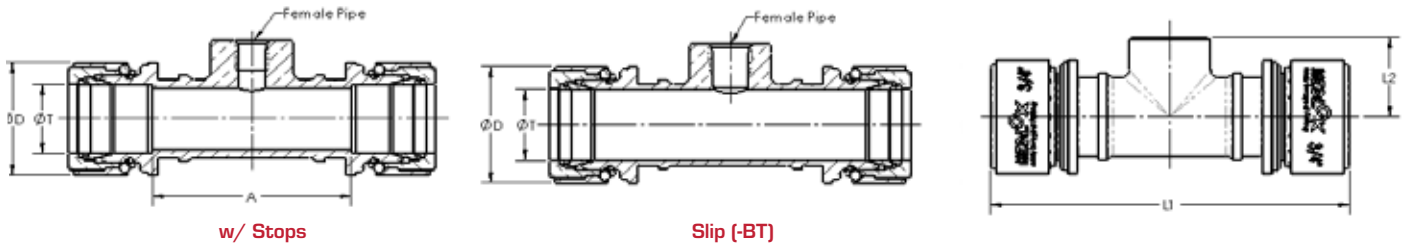
SIZE	PART NUMBER	FITTING LENGTH L	TAKE OUT A
3/8"	B-T06-ASCPL	2-1/2"	5/8"
1/2"	B-T08-ASCPL	2-7/16"	1/2"
3/4"	B-T12-ASCPL	2-7/16"	3/8"
1"	B-T16-ASCPL	3-3/8"	13/16"
1-1/4"	B-T20-ASCPL	4-5/8"	7/8"
1-1/2"	B-T24-ASCPL	4-11/16"	11/16"
2"	B-T32-ASCPL	5-1/2"	1/8"
3/8"	B-T06-ASCPL-BT	2-1/2"	5/8"
1/2"	B-T08-ASCPL-BT	2-7/16"	1/2"
3/4"	B-T12-ASCPL-BT	2-7/16"	3/8"
1"	B-T16-ASCPL-BT	3-7/8"	13/16"
1-1/4"	B-T20-ASCPL-BT	4-5/8"	7/8"
1-1/2"	B-T24-ASCPL-BT	4-11/16"	11/16"
2"	B-T32-ASCPL-BT	5-1/2"	1/8"

## Reducing Couplings with Stop or Slip Body Styles



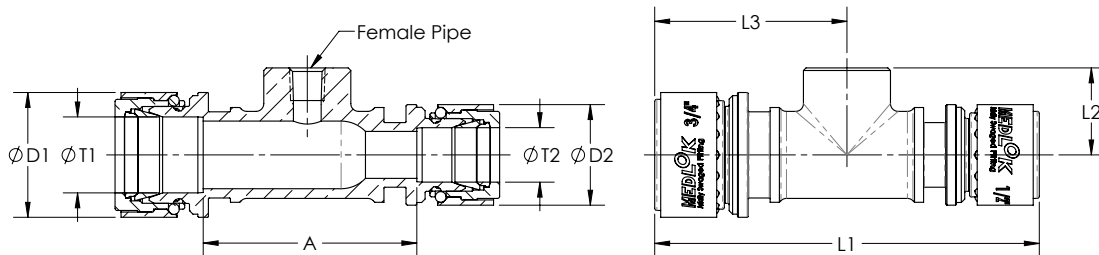
SIZE	PART NUMBER	FITTING LENGTH L	TAKE OUT A
1/2" TO 3/8"	B-T08-ASREDCPL-T06	3"	1"
3/4" TO 3/8"	B-T12-ASREDCPL-T06	3"	1"
3/4" TO 1/2"	B-T12-ASREDCPL-T08	3"	15/16"
1" TO 1/2"	B-T16-ASREDCPL-T08	3"	15/16"
1" TO 3/4"	B-T16-ASREDCPL-T12	3-7/16"	1-1/8"
1-1/4" TO 1"	B-T20-ASREDCPL-T16	4-1/16"	7/8"
1-1/2" TO 1"	B-T24-ASREDCPL-T16	4-1/8"	13/16"
1-1/2" TO 1-1/4"	B-T24-ASREDCPL-T20	4-5/8"	3/4"
2" TO 1"	B-T32-ASREDCPL-T16	4-7/8"	15/16"
2" TO 1-1/4"	B-T32-ASREDCPL-T20	5-3/8"	7/8"
2" TO 1-1/2"	B-T32-ASREDCPL-T24	5-1/16"	3/8"
1/2" TO 3/8"	B-T08-ASREDCPL-T06-BT	3"	1"
3/4" TO 3/8"	B-T12-ASREDCPL-T06-BT	3"	1"
3/4" TO 1/2"	B-T12-ASREDCPL-T08-BT	3"	15/16"
1" TO 1/2"	B-T16-ASREDCPL-T08-BT	3"	15/16"
1" TO 3/4"	B-T16-ASREDCPL-T12-BT	3-7/16"	1-1/8"
1-1/4" TO 1"	B-T20-ASREDCPL-T16-BT	4-1/16"	7/8"
1-1/2" TO 1"	B-T24-ASREDCPL-T16-BT	4-1/8"	13/16"
1-1/2" TO 1-1/4"	B-T24-ASREDCPL-T20-BT	4-5/8"	3/4"
2" TO 1"	B-T32-ASREDCPL-T16-BT	4-7/8"	15/16"
2" TO 1-1/4"	B-T32-ASREDCPL-T20-BT	5-3/8"	7/8"
2" TO 1-1/2"	B-T32-ASREDCPL-T24-BT	5-1/16"	3/8"

## Gauge Port Couplings with Stop or Slip Body Styles



SIZE	PART NUMBER	FEMALE PIPE SIZE	FITTING LENGTH L1	FITTING LENGTH L2	TAKE OUT A
1/2"	B-T08-ASCPL-2FPT	4-3/16"	4-3/16"	15/16"	2-1/4"
1/2"	B-T08-ASCPL-4FPT	4-3/16"	4-3/16"	15/16"	2-1/4"
3/4"	B-T12-ASCPL-2FPT	4-1/2"	4-1/2"	1"	2-7/16"
3/4"	B-T12-ASCPL-4FPT	4-1/2"	4-1/2"	1"	2-7/16"
1"	B-T16-ASCPL-2FPT	5-7/8"	5-7/8"	1-1/8"	3-5/16"
1"	B-T16-ASCPL-4FPT	5-7/8"	5-7/8"	1-1/8"	3-5/16"
1-1/4"	B-T20-ASCPL-4FPT	5-3/4"	5-3/4"	1-1/8"	2-1/16"
1-1/2"	B-T24-ASCPL-4FPT	5-7/8"	5-7/8"	1-1/4"	1-7/8"
2"	B-T32-ASCPL-4FPT	6-11/16"	6-11/16"	1-1/2"	1-5/16"
1/2"	B-T08-ASCPL-2FPT-BT	4-3/16"	4-3/16"	15/16"	2-1/4"
1/2"	B-T08-ASCPL-4FPT-BT	4-3/16"	4-3/16"	15/16"	2-1/4"
3/4"	B-T12-ASCPL-2FPT-BT	4-7/16"	4-1/2"	1"	2-7/16"
3/4"	B-T12-ASCPL-4FPT-BT	4-7/16"	4-1/2"	1"	2-7/16"
1"	B-T16-ASCPL-2FPT-BT	5-7/8"	5-7/8"	1-1/8"	3-5/16"
1"	B-T16-ASCPL-4FPT-BT	5-7/8"	5-7/8"	1-1/8"	3-5/16"
1-1/4"	B-T20-ASCPL-4FPT-BT	5-3/4"	5-3/4"	1-1/8"	2-1/16"
1-1/2"	B-T24-ASCPL-4FPT-BT	5-7/8"	5-7/8"	1-1/4"	1-7/8"
2"	B-T32-ASCPL-4FPT-BT	6-11/16"	6-11/16"	1-1/2"	1-5/16"

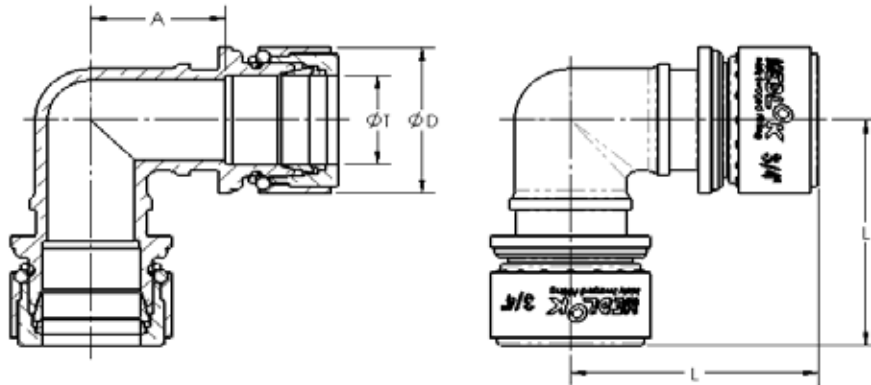
## Reducing Gauge Port Couplings with Stop Body Styles



SIZE	PART NUMBER	FEMALE PIPE SIZE	FITTING LENGTH L1	CENTER LENGTH L2	CENTER LENGTH L3	TAKE OUT A
3/4" TO 1/2"	B-T12-ASREDCPL-T08-2FPT	4-1/2"	4-1/2"	1"	2-1/4"	2-1/2"
3/4" TO 1/2"	B-T12-ASREDCPL-T08-4FPT	4-1/2"	4-1/2"	1"	2-1/4"	2-1/2"
1" TO 3/4"	B-T16-ASREDCPL-T12-2FPT	5-3/4"	5-3/4"	1-1/8"	2-15/16"	3-7/16"
1" TO 3/4"	B-T16-ASREDCPL-T12-4FPT	5-3/4"	5-3/4"	1-1/8"	2-15/16"	3-7/16"

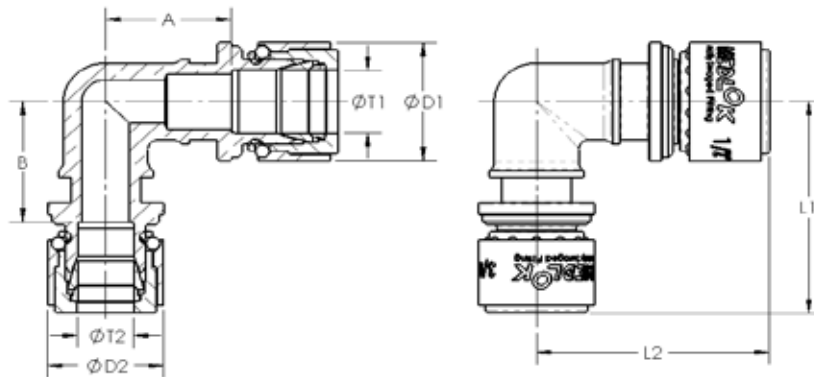


## Elbows with Stop Body Style



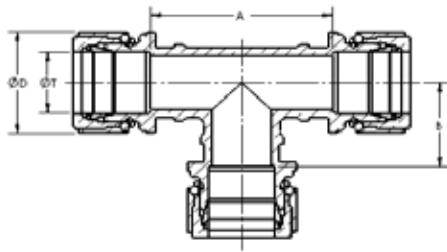
SIZE	PART NUMBER	CENTER LENGTH L	TAKE OUT A
1/2"	B-T08-ASEL90	2-1/8"	1-1/8"
3/4"	B-T12-ASEL90	2-1/4"	1-3/16"
1"	B-T16-ASEL90	2-15/16"	1-11/16"
1-1/4"	B-T20-ASEL90	2-13/16"	1-15/16"
1-1/2"	BT24-ASEL90	4"	1-15/16"
2"	B-T32-ASEL90	4-5/8"	1-15/16"

## Reducing Elbows with Stop Body Style

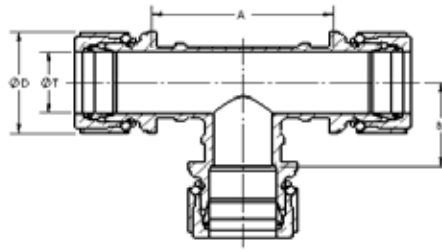


SIZE	PART NUMBER	CENTER LENGTH L1	CENTER LENGTH L2	TAKE OUT A	TAKE OUT B
1/2" TO 3/8"	B-T08-ASREDEL90-T06	2-1/8"	2-1/8"	1-1/8"	1-3/16"
3/4" TO 1/2"	B-T12-ASREDEL90-T08	2-1/4"	2-1/4"	1-1/4"	1-1/4"
1" TO 1/2"	B-T16-ASREDEL90-T08	2-13/16"	2-15/16"	1-11/16"	1-13/16"
1" TO 3/4"	B-T16-ASREDEL90-T12	2-13/16"	2-15/16"	1-11/16"	1-3/4"

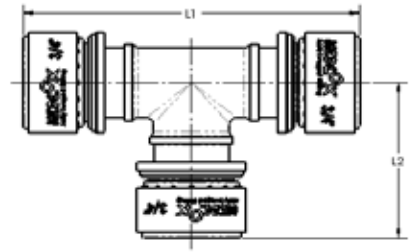
## Tees with Stop or Half-Slip™ Body Styles



w/ Stops

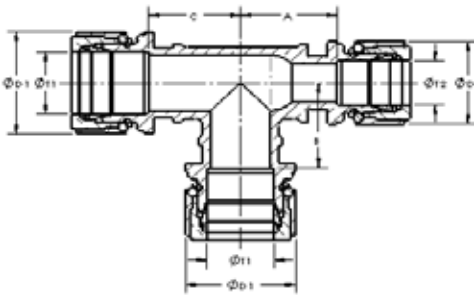


Slip (-BT)

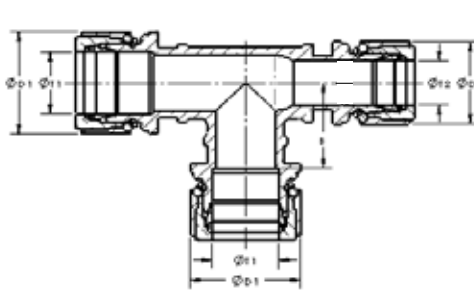


SIZE	PART NUMBER	FITTING LENGTH L1	CENTER LENGTH L2	TAKE OUT A	TAKE OUT B
1/2" TO 1/2" TO 1/2"	B-T08-ASTEES	4-3/16"	2-1/8"	2-1/4"	1-1/8"
3/4" TO 3/4" TO 3/4"	B-T12-ASTEES	4-7/16"	2-1/4"	2-7/16"	1-3/16"
1" TO 1" TO 1"	B-T16-ASTEES	5-7/8"	2-7/8"	3-5/16"	1-11/16"
1-1/4" TO 1-1/4" TO 1-1/4"	B-T20-ASTEES	7-9/16"	2-13/16"	3-7/8"	1-15/16"
1-1/2" TO 1-1/2" TO 1-1/2"	B-T24-ASTEES	7-15/16"	4"	3-7/8"	1-15/16"
2" TO 2" TO 2"	B-T32-ASTEES	9-1/4"	4-5/8"	3-7/8"	1-15/16"
1-1/4" TO 1-1/4" TO 1-1/4"	B-T20-ASTEES-HS	7-9/16"	3-13/16"	3-7/8"	1-15/16"
1-1/2" TO 1-1/2" TO 1-1/2"	B-T24-ASTEES-HS	7-15/16"	4"	3-7/8"	1-15/16"
2" TO 2" TO 2"	B-T32-ASTEES-HS	9-1/4"	4-5/8"	3-7/8"	1-15/16"

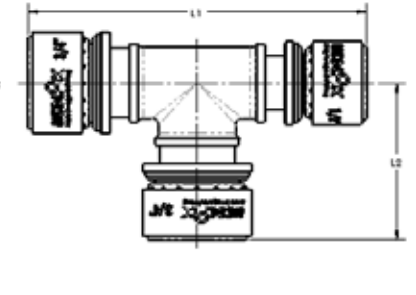
## Reducing Run Tees with Stop or Half-Slip™ Body



w/ Stops



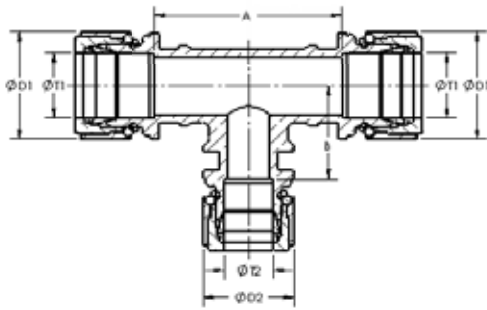
Slip (-BT)



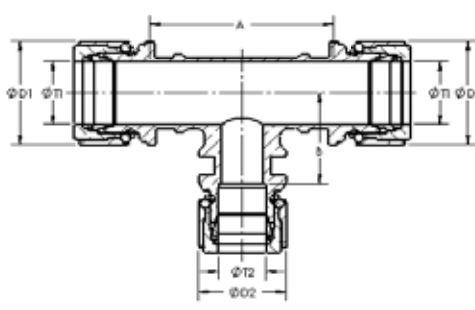
SIZE	PART NUMBER	FITTING LENGTH L1	CENTER LENGTH L2	TAKE OUT A	TAKE OUT B	TAKE OUT C
1/2" TO 3/8" TO 1/2"	B-T08-ASREDTEE-T06-T08	4-1/4"	2-1/8"	1-3/16"	1-1/8"	1-1/8"
3/4" TO 1/2" TO 3/4"	B-T12-ASREDTEE-T08-T12	4-1/2"	2-1/4"	1-1/4"	1-3/16"	1-3/16"
1" TO 3/4" TO 1"	B-T16-ASREDTEE-T12-T16	5-3/4"	2-15/16"	1-7/8"	1-11/16"	1-11/16"

<sup>1</sup> Slip Tee is on run only

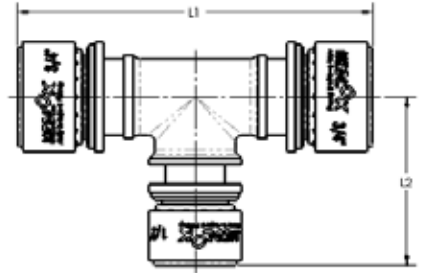
## Reducing Branch Tees with Stop or *Half-Slip™* Body Styles



w/ Stops

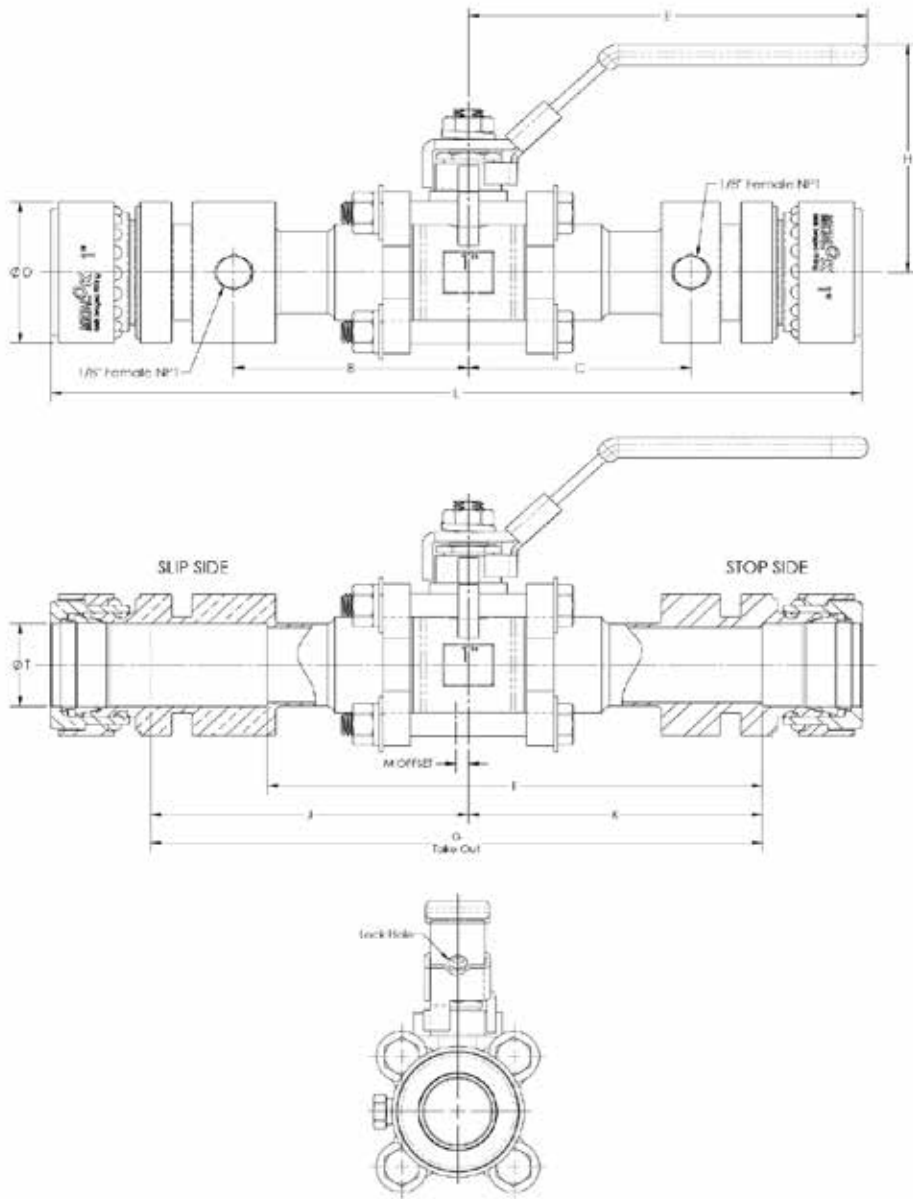


Slip (-BT)



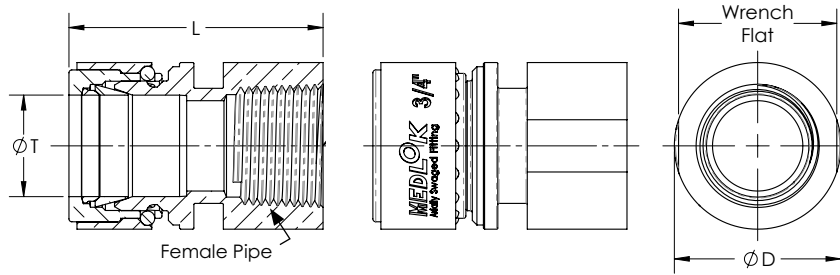
SIZE	PART NUMBER	FITTING LENGTH L1	CENTER LENGTH L2	TAKE OUT A	TAKE OUT B
1/2" TO 1/2" TO 3/8"	B-T08-ASREDTEE-T08-T06	4-3/16"	2-1/8"	2-1/4"	1-3/16"
3/4" TO 3/4" TO 1/2"	B-T12-ASREDTEE-T12-T08	4-1/2"	2-1/4"	2-7/16"	1-1/4"
1" TO 1" 3/4"	B-T16-ASREDTEE-T16-T12	5-7/8"	2-13/16"	3-5/16"	1-3/4"
1" TO 1" TO 1/2"	B-T16-ASREDTEE-T16-T08	5-7/8"	2-13/16"	3-5/16"	1-3/4"

## Valves with *Half-Slip™* Body Style



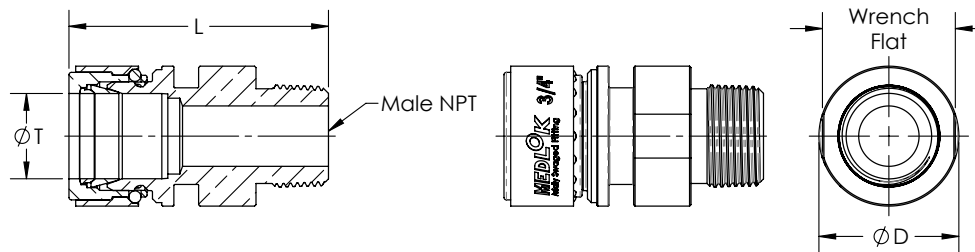
SIZE	PART NUMBER	B	C	E	F	TAKE OUT G	H	J	K	OVERALL LENGTH L	OFFSET M
1/2"	B-T08-ASBV-T08	2-1/4"	2-3/16"	4-1/8"	4-7/8"	5-7/8"	2-3/8"	1-7/8"	2-15/16"	7-13/16"	1/16"
3/4"	B-T12-ASBV-T12	2-7/16"	2-3/8"	4-3/8"	5-1/8"	6-1/4"	2-5/8"	2-1/16"	3-1/16"	8-5/16"	1/8"
1"	B-T16-ASBV-T16	3"	2-7/8"	4-3/8"	6-5/16"	7-7/8"	3-1/8"	4-1/16"	3-3/4"	10-5/16"	3/16"
1-1/4"	B-T20-ASBV-T20	3-1/2"	3-1/8"	5-1/8"	6-15/16"	8-7/8"	3-3/8"	4-7/8"	4-1/4"	12-5/8"	3/8"
1-1/2"	B-T24-ASBV-T24	3-7/8"	3-3/8"	6-5/16"	7-5/16"	9-1/2"	3-11/16"	5-1/4"	4-1/8"	13-1/2"	1/2"
2"	B-T32-ASBV-T32	4-15/16"	3-15/16"	6-5/16"	8-1/4"	11"	4"	6-1/2"	4-9/16"	16-3/8"	1"

## Female NPT Connector with Stop Body Style



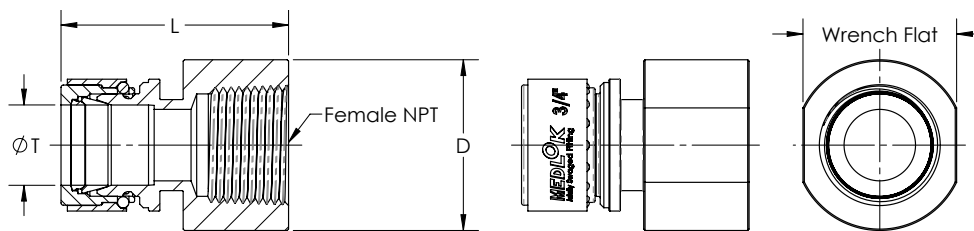
SIZE	FEMALE PIPE SIZE	FITTING LENGTH L1	PART NUMBER	WRENCH FLAT
1/2"	1/2"	2-1/4"	B-T08-ASFC-8FPT	1-1/16"
3/4"	3/4"	2-1/4"	B-T12-ASFC-12FPT	1-3/8"
1"	1"	2-15/16"	B-T16-ASFC-16FPT	1-3/4"
1-1/4"	1-1/4"	3-11/16"	B-T20-ASFC-20FPT	2"
1-1/2"	1-1/2"	3-7/8"	B-T24-ASFC-24FPT	2-1/4"
2"	2"	4-1/4"	B-T32-ASFC-32FPT	2-3/4"

## Male NPT Connector with Stop Body Style



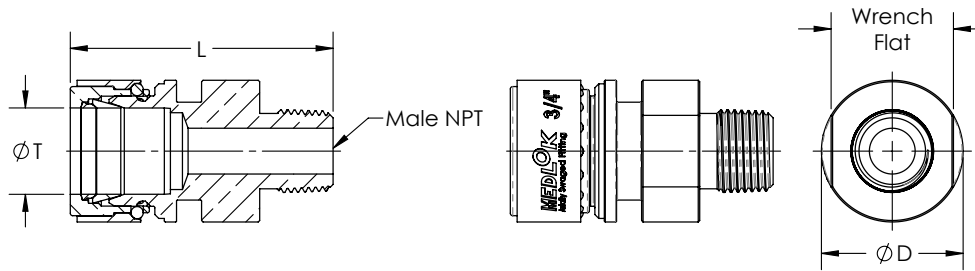
SIZE	MALE PIPE SIZE	PART NUMBER	FITTING LENGTH L1	WRENCH FLAT
1/2"	1/2"	B-T08-ASMC-8MPT	2-5/8"	1-1/16"
3/4"	3/4"	B-T12-ASMC-12MPT	2-11/16"	1-3/8"
1"	1"	B-T16-ASMC-16MPT	3-1/2"	1-3/4"
1-1/4"	1-1/4"	B-T20-ASMC-20MPT	3-7/8"	2"
1-1/2"	1-1/2"	B-T24-ASMC-24MPT	4"	2-1/4"
2"	2"	B-T32-ASMC-32MPT	4-7/16"	2-3/4"

## Reducing Female NPT Connector with Stop Body Style



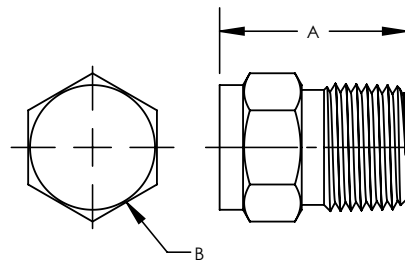
SIZE	PART NUMBER	FEMALE PIPE SIZE	FITTING LENGTH L	WRENCH FLAT
1/2" TO 3/4"	B-T08-ASFC-12FPT	3/4"	2-5/16"	1-5/16"
3/4" TO 1/2"	B-T12-ASFC-8FPT	1/2"	2-3/16"	1-1/4"
3/4" TO 1"	B-T12-ASFC-16FPT	1"	2-1/2"	1-11/16"
1" TO 3/4"	B-T16-ASFC-12FPT	3/4"	2-15/16"	1-3/4"

## Reducing Male NPT Connector with Stop Body Style



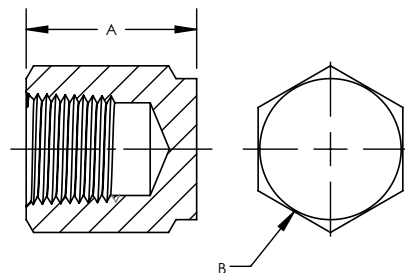
SIZE	MALE PIPE SIZE	PART NUMBER	FITTING LENGTH L	WRENCH FLAT
1/2" TO 1/4"	1/4"	B-T08-ASMC-4MPT	2-7/16"	1-1/16"
1/2" TO 3/4"	3/4"	B-T08-ASMC-12MPT	2-5/8"	1-1/16"
3/4" TO 1/2"	1/2"	B-T12-ASMC-8MPT	2-11/16"	1-1/4"
3/4" TO 1"	1"	B-T12-ASMC-16MPT	2-7/8"	1-3/8"
1" TO 3/4"	3/4"	B-T16-ASMC-12MPT	3-5/16"	1-3/4"

## Male NPT Plugs



SIZE	PART NUMBER	A	B HEX
1/2"	B-8-1MPP-SPCL	1-5/16"	7/8"
3/4"	B-12-1MPP-SPCL	1-3/8"	1-1/16"
1"	B-16-1MPP-SPCL	1-1/2"	1-3/8"
1-1/4"	B-20-1MPP-SPCL	1-5/8"	1-3/4"
1-1/2"	B-24-1MPP-SPCL	1-13/16"	2"
2"	B-32-1MPP-SPCL	1-7/8"	2-1/2"

## Female NPT Cap



SIZE	PART NUMBER	A	B HEX
1/2"	B-8-1FPC-SPCL	1-3/8"	1-1/16"
3/4"	B-12-1FPC-SPCL	1-7/16"	1-5/16"
1"	B-16-1FPC-SPCL	1-5/8"	1-5/8"
1-1/4"	B-20-1FPC-SPCL	1-13/16"	2-1/2"
1-1/2"	B-24-1FPC-SPCL	1-7/8"	3"
2"	B-32-1FPC-SPCL	2"	3-5/8"





 [MEDLOK.COM](http://MEDLOK.COM)




 [Medlok Documents](#)



 [Credit Application](#)



 [Follow us on LinkedIn!](#)



1061 East 260th Street, Euclid, Ohio 44132  
Phone: 216•261•7310 Fax: 216•261•7317  
[www.medlok.com](http://www.medlok.com)



Looking for non-medgas PVF fittings & valves? Check out Tylok: